

5025 Series Marker Lamps

ADR
Approved

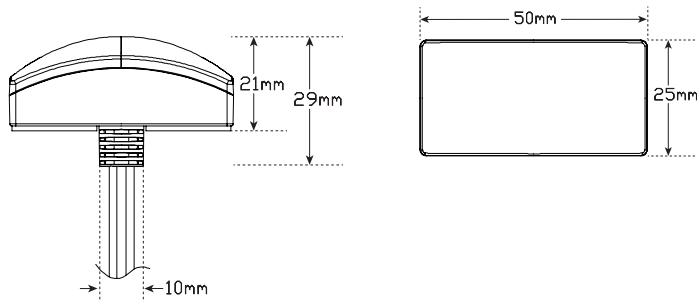
100%
Water Proof

5 Year
Warranty

- Non fastner fitting design
- Low Profile Compact
- Voltage Range 12-24V

Function Marker Lamps
Size 50mm x 25mm x 21mm
Voltage 12-24 Volt
Cable 20 cm
Lens PMMA
Base ABS

Draw
@13.8V 0.029A
@28V 0.029A



Part Number
5025RM2 - Twin Blister
5025RMB - Box of 10



Part Number
5025AM2 - Twin Blister
5025AMB - Box of 10

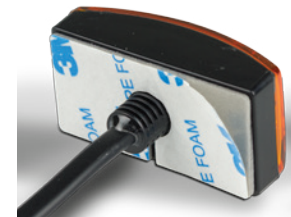


Part Number
5025ARM2 - Twin Blister
5025ARMB - Box of 10



Part Number
5025WM2 - Twin Blister
5025WMB - Box of 10

Part No	5025RM2	5025RMB	5025AM2	5025AMB	5025ARM2	5025ARMB	5025WM2	5025WMB
Package	Twin Blister	Box of 10	Twin Blister	Box of 10	Twin Blister	Box of 10	Twin Blister	Box of 10
Function	Rear End Outline Marker	Rear End Outline Marker	Side Marker Side Direction Front End Outline	Side/Direction Marker/Front End Outline	Red Amber Side Marker	Red Amber Side Marker	Front End Outline Marker	Front End Outline Marker
LED Qty	2	2	3	3	2	2	2	2



Fitting Instructions

Drill a 10mm hole for the serrated plug. Pull the sheathed cable through the hole. Remove the protective film from the 3M tape. Push the serrated plug into the hole. Line up the lamp and press firmly. The lamp is held securely with the plug serrations and high quality 3M tape.



All enquiries P: (03) 9466 7075 E: led@ledtech.com.au, www.ledautolamps.com

All efforts are made to ensure all information is correct and up to date, it can be subject to change without notice. All measurements are in millimeters (mm) and are not to scale. © All LED Technologies designs are registered throughout the world. - Current as of 19/05/2015