

Direct Fit Plus - LED Headlight Kit – Halogen Replacement

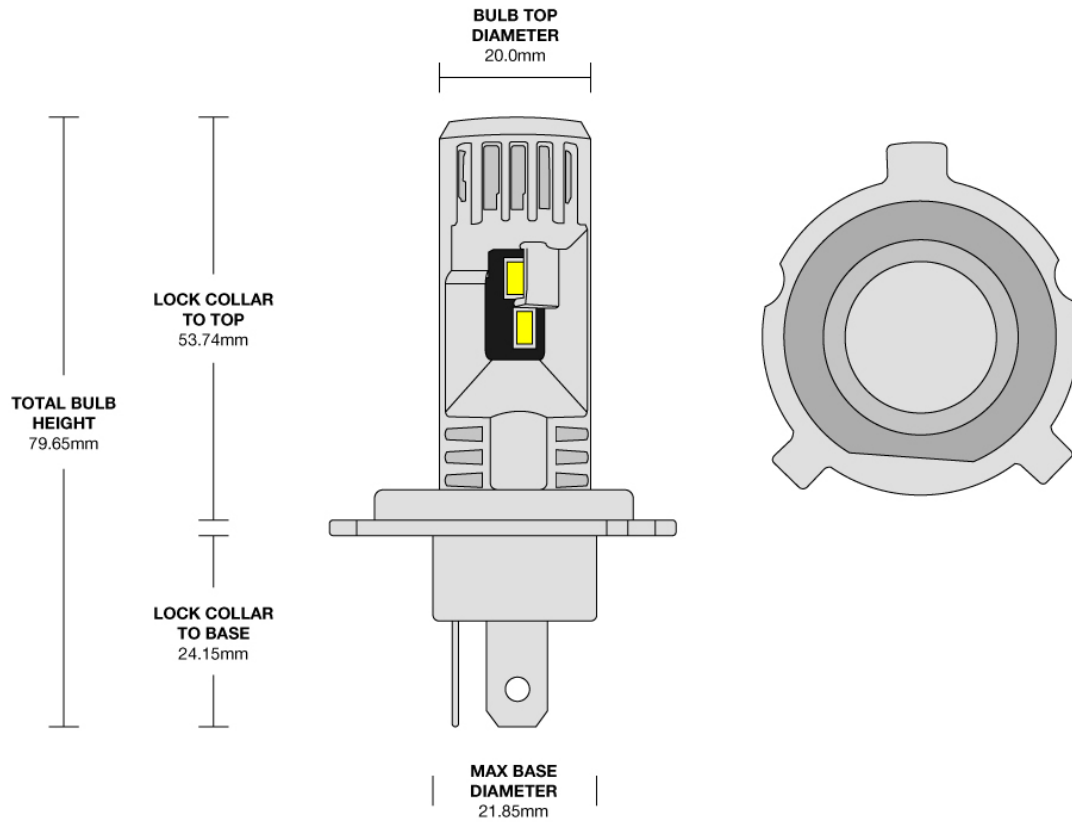
999004DFP

Product Information

Description	Direct Fit Plus - 12V LED Bulb Kit 5700K - H4 / H19
Minimum Operating Temperature	-40 °C
Maximum Operating Temperature	130 °C
Connector or Wiring	H4



Product Dimensions



Electrical Specifications

Input Voltage	12VV DC
Operating Voltage	12-16VV DC
Wattage	26 W

Photometric Specifications

Raw Lumen Output	2200 per bulb
Nominal LED Color Temperature	5700 K

Additional Specifications



IP Rating	IP65
Warranty	2 Year - Standard driving conditions: For normal day to day driving & recreational 4x4.
Pack Quantity	2